

Proxies and policies

This page tries to show how to configure a couple of central policies, based on how TS is hosted.

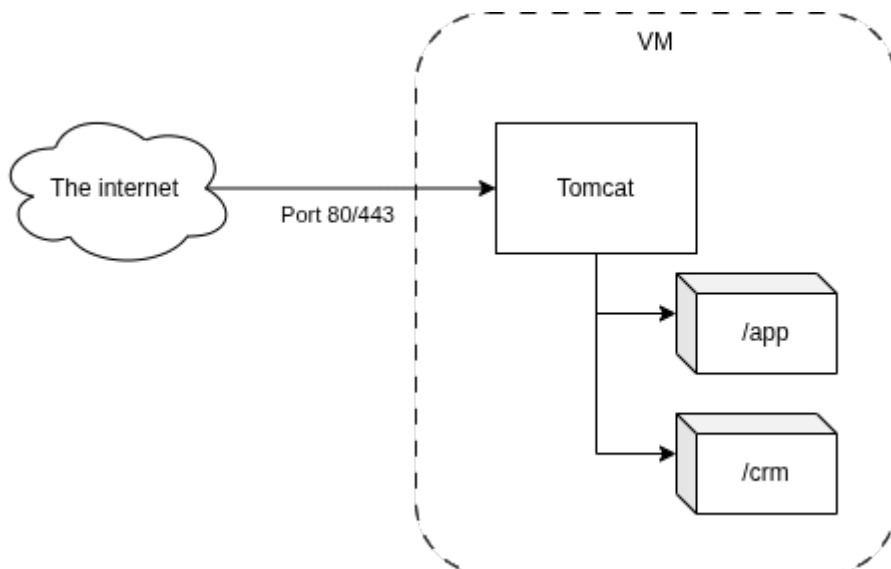
Tomcat on port 80/443

When running tomcat directly on port 80/443, the following policies should be set.

| Policy | Value |
|--|--|
| applicationIsBehindAReverseProxy | false |
| applicationIsHiddenBehindAReverseProxy | false |
| applicationPort | 80 |
| applicationPortSSL | 443 |
| securitySslPages | Depends on if SSL is enabled (recommended) |
| applicationServer | A domain pointing at the server |

This was the default setup up until 2025-Q2.

This illustration shows how the traffic is routed.



Behind a proxy (nginx)

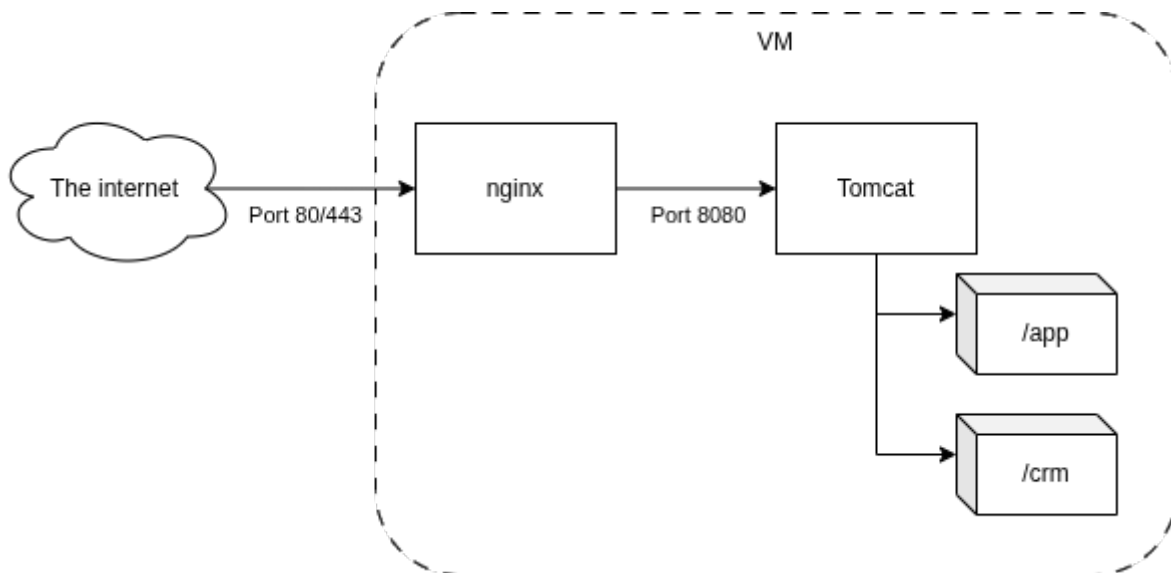
When running tomcat behind a reverse proxy (eg. nginx), the following policies should be set.

| Policy | Value |
|---|--|
| applicationIsBehindARreverseProxy | true |
| applicationIsHiddenBehindARreverseProxy | false |
| applicationIPort | 80 |
| applicationIPortSSL | 443 |
| securitySslPages | Depends on if SSL is enabled (recommended) |
| applicationServer | A domain pointing at the server |

This is the default setup as of 2025-Q2.

It helps when running SSL/TLS and multiple/changing domains.

This illustration shows how the traffic is routed.



Hidden behind a proxy

When hiding the webapps hosted by tomcat behind a reverse proxy (eg. nginx), the following policies should be set.

| Policy | Value |
|---|--|
| applicationIsBehindARreverseProxy | true |
| applicationIsHiddenBehindARreverseProxy | true |
| applicationIPort | 80 |
| applicationIPortSSL | 443 |
| securitySslPages | Depends on if SSL is enabled (recommended) |

| | |
|-------------------|-------------------------------------|
| applicationServer | The domain pointing at the instance |
|-------------------|-------------------------------------|

This setup also requires that the context file for the given webapp is modified. The following attributes have to be added to the `Context` opening tag.

```
useRelativeRedirects="false" sessionCookiePath="/"
```

All of this is handled by the `ts` script.

This is used for shared hosting, where multiple domains are pointing to the same server, as to not expose other installations/customers. This illustration shows how the traffic is routed.

